

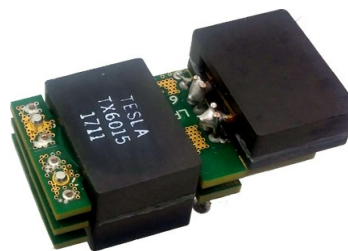


TX6015 Resonant Power Transformer



Features:

- Designed for Resonant Converter applications up to 500 Watts
- Class B Insulation System
- Switching frequency: 200kHz to 500kHz
- Operating Temperature: -40°C to +125°C
- Storage Temperature: -40°C to +125°C



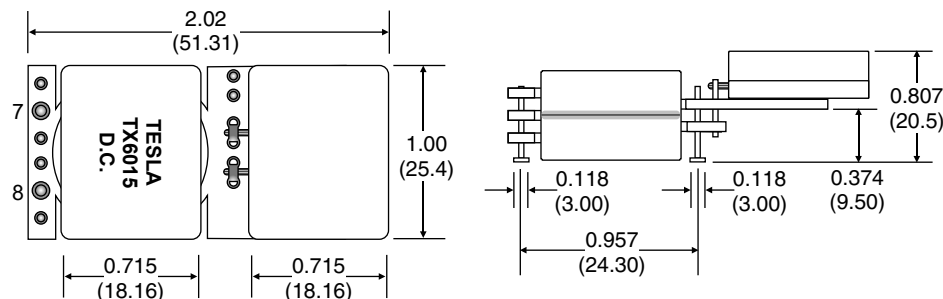
Electrical Specifications @25°C

Transformer Inductance ¹ (μ H Min)	Lres Inductance ² (μ H \pm 5%)	DCR (m Ω Max.)				Turns Ratio	Leakage Inductance ³ (nH Max.)	Isolation (Vrms)
		Pri-1	Pri-2	Sec.	Lres			
Pins 7-8						Pri-1: Pri-2: Sec	Sec.	Pri. To Sec.
25	0.6	1.27	1.27	2	2.5	1 : 1 : 2	70	1000

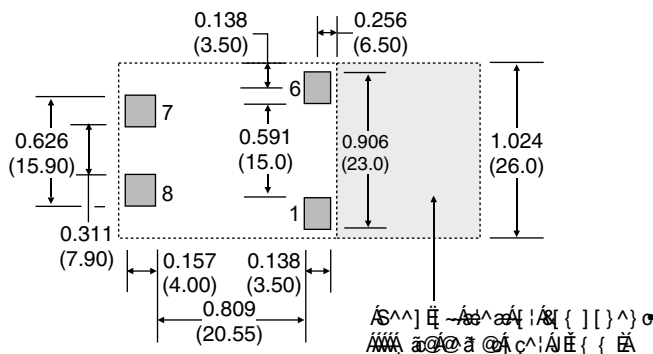
Notes:

1. Measured at 100kHz; 1.0Vrms.
2. Measured @ 400kHz; 1Vrms.
3. Measured @ 400kHz; 1Vrms with Pri-1, Pri-2 and Lres shorted.

Dimensions

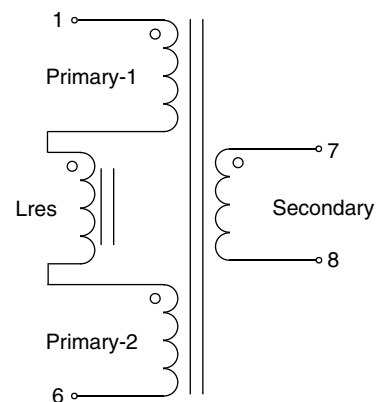


Pad Layout



All Dimensions are in inches (mm)

Schematic



- Product weight: 57 grams
- Moisture sensitivity level: 1
- Resistance to solder heat: 245°C
- Ordering Information:
A Tray packaging (16pcs./Tray)