



TX4015

Forward Mode PoE Transformer



Features:

- Designed for Forward PoE applications up to 25 Watts
- Class F Insulation System
- Operating Temperature: -40°C to +85°C
- Storage Temperature: -40°C to +85°C
- Switching Frequency: 250kHz



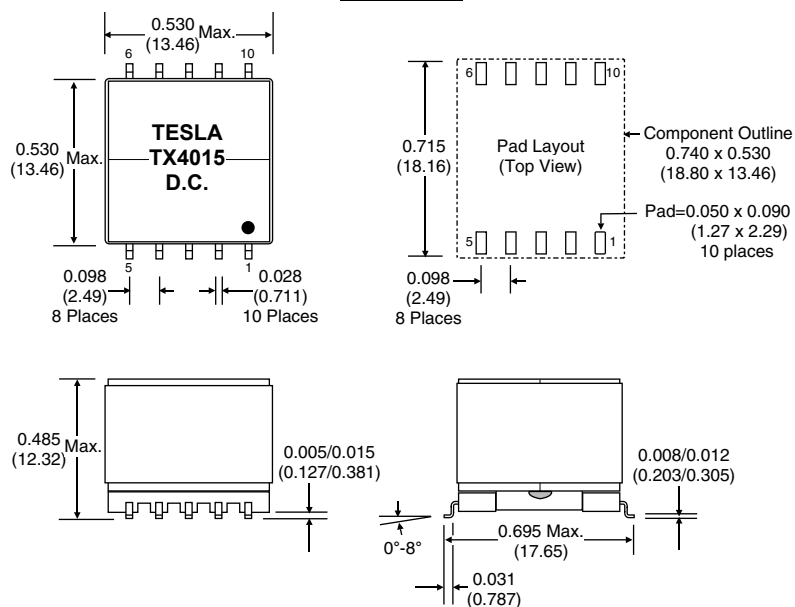
Electrical Specifications @25°C

Inductance ¹ ($\mu\text{H} \pm 10\%$)		Le ² ($\mu\text{H} \text{ max.}$)		DCR ($\text{m}\Omega \text{ max.}$)			Turns Ratio		Output		Isolation ³	
Pri.	Pri.	Pri.	Sec.	Aux.	Pri.:Sec.:Aux.	Secondary	Auxiliary	Pri./Aux. To Sec.	Pri. To Aux.			
95	1.44	115	8	347	1 : 0.25 : 0.938	3.3V(7.2A)	12V(20mA)	1500Vrms	500Vrms			

Notes:

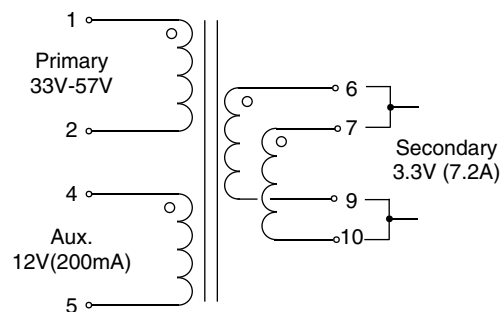
1. Primary inductance measured at 250kHz;0.1Vrms.
2. Leakage inductance measured at Primary with Sec. & Aux. windings shorted.
3. 1 minute isolation between primary/auxiliary to secondary winding.

Dimensions



All Dimensions are in inches (mm).

Schematic



- Product weight: 6.6 grams
- Moisture sensitivity level: 1
- Resistance to solder heat: +260°C
- Ordering Information:
TX4015 -Tube Packaging (39pcs./Tube)
TX4015T - Tray packaging (80pcs./Tray)
TX4015TR - Tape & Reel (200pcs./ 13"Reel)