

HIGH FREQUENCY COMMON MODE CHOKE

TL2012C-900ST/TL3216C-900ST

Electrical Specifications@25 °C

Part Number	Z (Ω)	DCR (Ω)	Idc(mA)	Rated Voltage	Insulation Resistance	Cut-off Frequency	Characteristic Impedance
	Common Mode						
	Impedance at 100 MHz						
	[Max]	[Max]	Vdc (V)Typical	IR (MΩ)Min	(GHz)	(Ω)	
TL2012C-900ST	90	0.30	300	20	10	6.0 Typ	100 Typ
TL3216C-900ST	90	0.30	370	50	10	6.0 Typ	100 Typ

Mechanical

PART NUMBER

① ② ③ ④ ⑤ ⑥

① Product Type: TL

② Size
the first two digitals:length(mm),the last two digitals:width(mm)

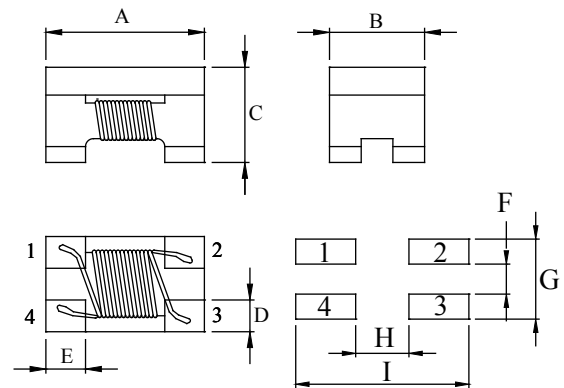
③ Classification

A	USB2.0/IEEE1394 Signal Line
B	HDMI1.4 Cat1
C	HDMI1.4 Cat2/USB3.0

④ Impedance(at 100MHz)900:90Ω

⑤ Tolerance: S=±25%,M=±20%

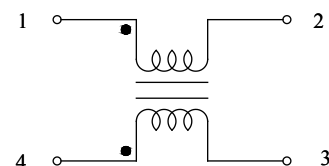
⑥ Tape and Reel: T



LAND PATTERN

TL2012C-900ST	A 2.0±0.2	B 1.2±0.2	C 1.2±0.2	D 0.4TYP	E 0.45TYP	F 0.45TYP	G 1.2TYP	H 0.8TYP	I 2.6TYP
TL3216C-900ST	A 3.2±0.2	B 1.6±0.2	C 1.9±0.2	D 0.6TYP	E 0.6TYP	F 0.4TYP	G 1.6TYP	H 2.0TYP	I 3.6TYP

Schematic

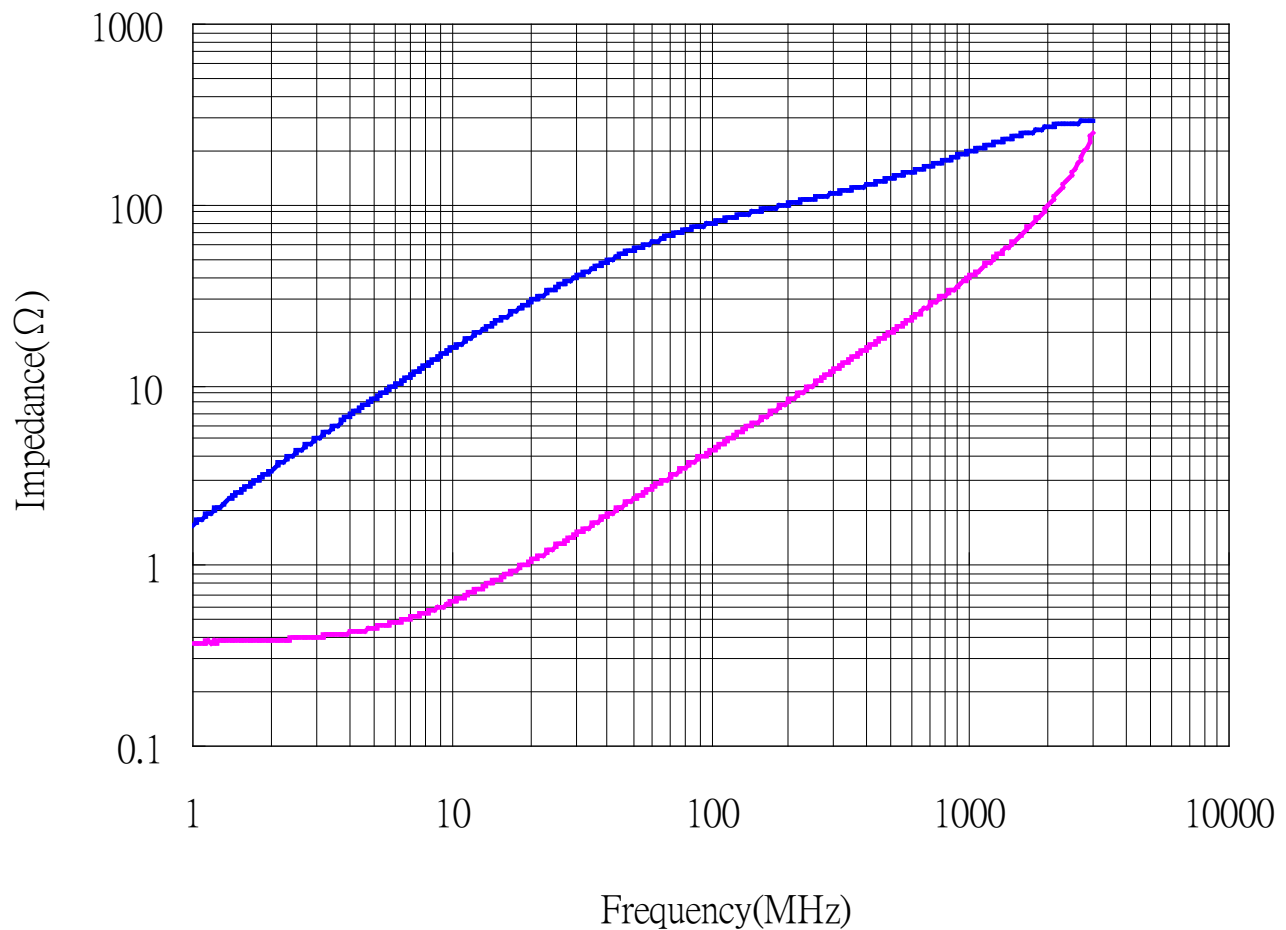


. Operating temperature: -40°C to + 85 °C

HIGH FREQUENCY COMMON MODE CHOKE

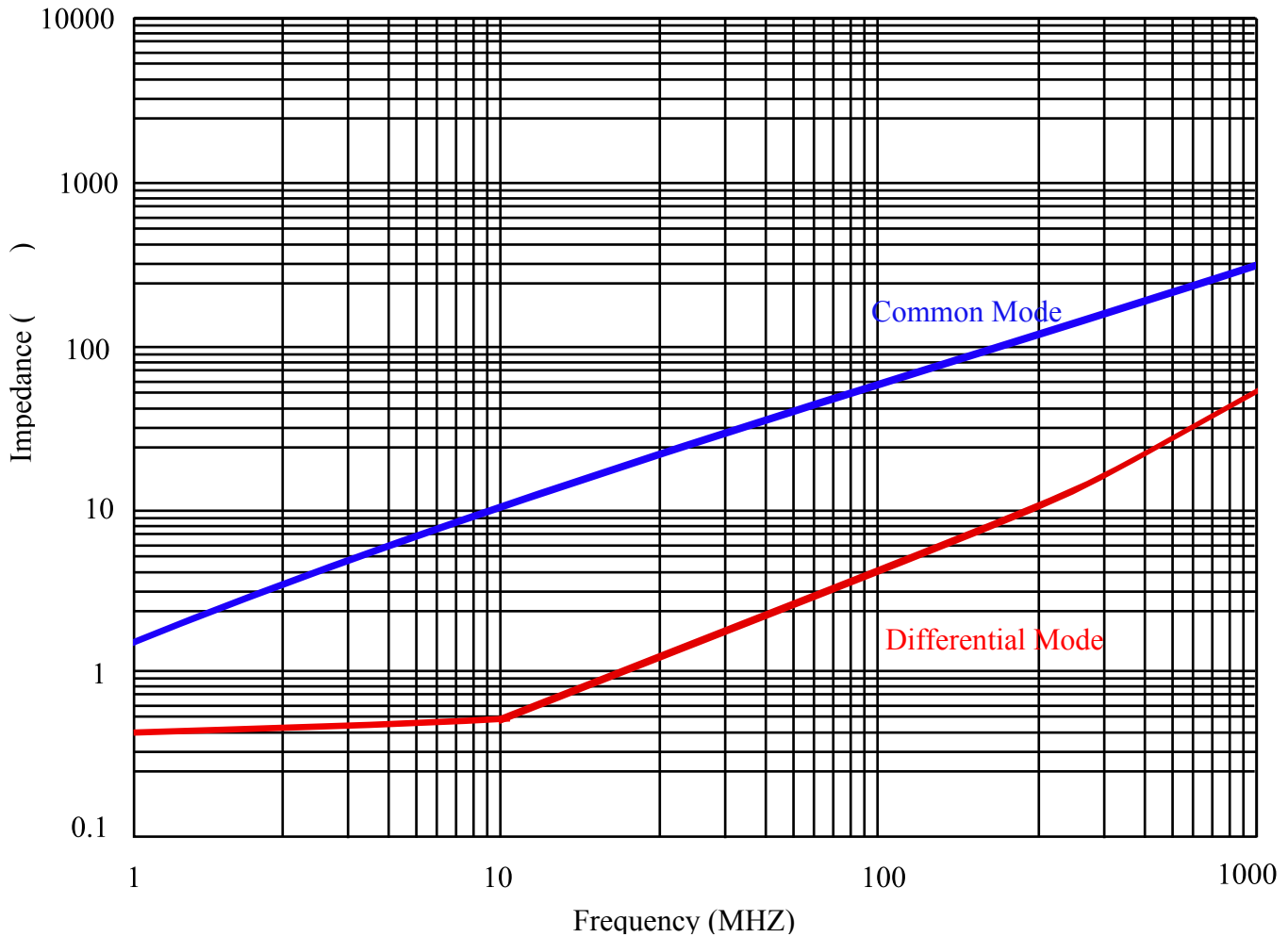
Impedance - Frequency Characteristics

TL2012C-900ST



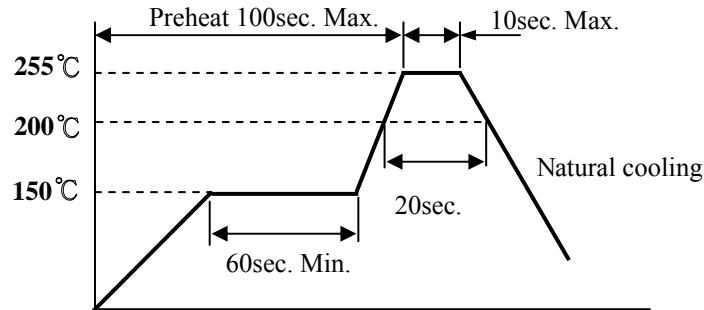
Impedance -Frequency Characteristics

TL3216C-900ST

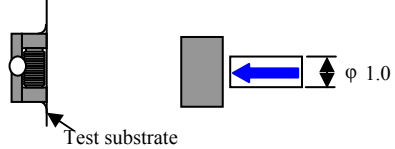


HIGH FREQUENCY COMMON MODE CHOKE

RECOMMENDED SOLDERING TEMPERATURE PROFILE



MECHANICAL

Test	Specifications	Method
Solderability	The surface of terminal/pin tested shall be covered with solder by 90%	Preheating: 150 ±10°C 60 seconds Soldering: 230 ±5°C for 3 ±1 sec
Solder Heat Resistance	Components should have not evidence of electrical and mechanical damage Impedance: within ±15% of initial value	Preheating: 150°C 60secs Solder temperature: 260±5°C Flux: rosin Dip time: 10±0.5 secs
Terminal strength	0.5 F (Kg)	Solder a chip component to a test substrate and laterally apply force in the direction of arrow 

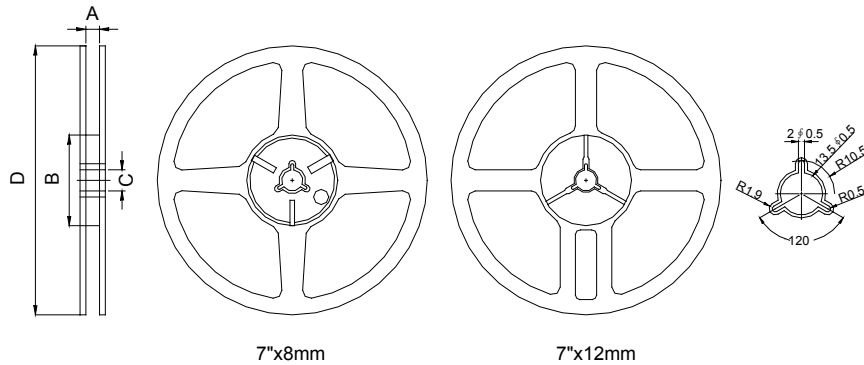
ENVIROMENTAL

Test	Specifications	Method
Thermal Shock	Impedance change within ± 15% no mechanical damage	-25 °C, (30 mins) -> room temp. (5 mins) -> 125 °C, (30 mins) -> room temp. (5 mins) 10 cycles
Humidity Resistance	Impedance change within ± 15% no mechanical damage	Apply Idc @ 60 °C ambient Humidity: 80 % Duration: 168 hrs
Low temperature storage	Impedance change within ± 15% no mechanical damage	-25 ±2 °C for total 168 +5/-0 hours
High temperature storage	Impedance change within ± 15% no mechanical damage	125 ±2 °C for total 168 +5/-0 hours

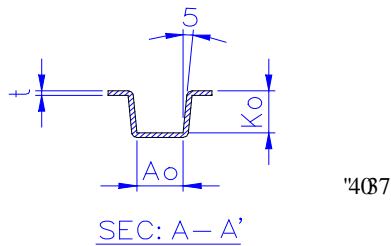
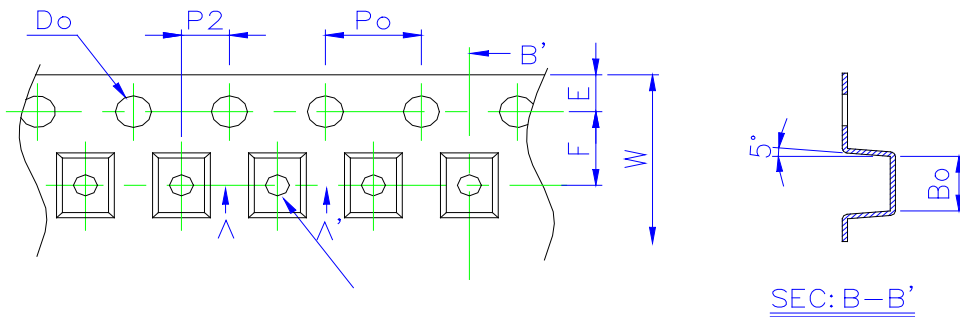
HIGH FREQUENCY COMMON MODE CHOKE

Packaging

Tape and Reel Specification:



Type	A(mm)	B(mm)	C(mm)	D(mm)
7"x8mm	9.0±0.5	60±2	13.5±0.5	178±2
7"x12mm	13.5±0.5	60±2	13.5±0.5	178±2



Quantity: 2000/Reel

Part No.	Ao(mm)	Bo(mm)	Ko(mm)	W(mm)	E(mm)	F(mm)	Po(mm)	P1(mm)	Do(mm)
TL2012C-900ST	2.35±0.10	1.50±0.10	1.45±0.10	8.00±0.20	1.75±0.10	3.50±0.05	4.0±0.05	4.0±0.10	1.0±0.1
TL3216C-900ST	3.55±0.10	1.90±0.10	1.65±0.10	8.00±0.20	1.75±0.10	3.50±0.05	4.0±0.05	4.0±0.10	1.0±0.1