



# Gigabit Ethernet Transformer TE3002

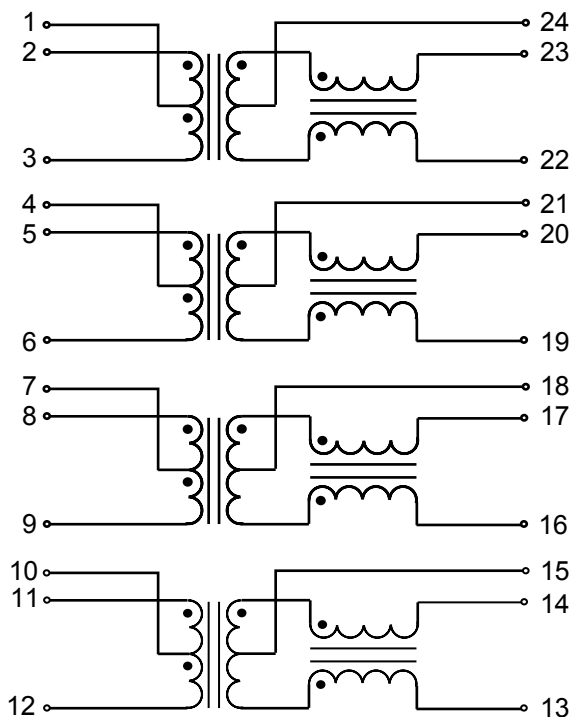
- Optimized for leading IC manufacturers per IEEE 802.3 Standard
- RSH 260°C for 10 seconds with reflow rating of 245°C
- Operating Temperature: 0°C - 70°C



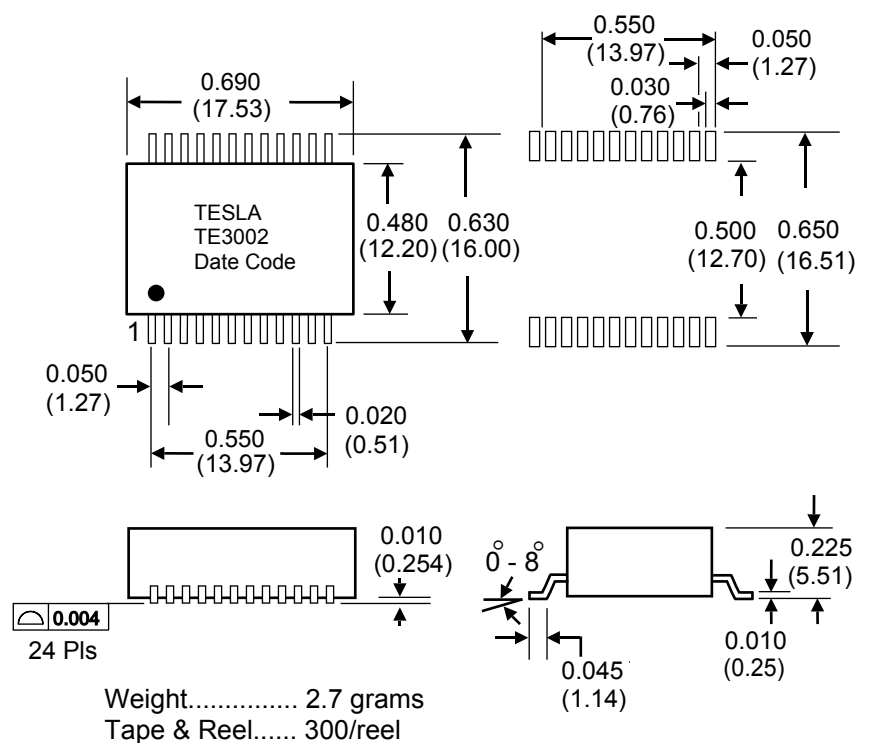
ELECTRICAL SPECIFICATIONS @ 25 C										
OCL	Insertion Loss (dB Max.)			Return Loss (dB Min.)			*Crosstalk (dB Min.)			Isolation
100 kHz, 0.1 Vrms With 8 mA DC Bias	0.1	100	125	30	60 - 80	100	30	60	100	Min.
Media side	MHz	MHz	MHz	MHz	MHz	MHz	MHz	MHz	MHz	Vrms
350 μH	-1.1	- 1	-2	- 18	- 12	- 10	- 43	- 37	- 33	1500

\* Crosstalk: Between adjacent channels

## SCHEMATIC



## MECHANICAL



Unless otherwise specified dimensions are in inches/(mm) ± 0.010/(0.25)