

# Single-Port(1x1) Tab-UP Gigabit PoE+ Connector, With LEDs TJ3002

## 32.60 x 16.60 x 13.50mm

### Description:

10/100/1000 Base-TX RJ45 single port with integrated magnetics - Designed for most leading PHY manufacturers with the addition of Power over Ethernet, according to IEEE 802.3at

### Features:

- ⊕ RoHS peak wave solder temperature rating 260°C
- ⊕ Single port connector for PoE applications
- ⊕ High performance for maximum EMI suppression
- ⊕ Operating temperature: 0°C to +70°C

### Material:

- ⊕ Contact: Phosphor Bronze, 6u-inch gold flashed
- ⊕ Metal shielding: nickel plated copper alloy
- ⊕ Housing: Thermoplastic PA66+30%GF UL94V-0 rated



## Electrical Specification@25°C

### 1. Turns Ratio:

- TP1 = 1CT : 1CT ± 3%
- TP2 = 1CT : 1CT ± 3%
- TP3 = 1CT : 1CT ± 3%
- TP4 = 1CT : 1CT ± 3%

### 2. OCL @100KHz, 0.1V:(4CHANNEL)

- J1-J2(18mA DC BIAS) : 350 uH Min
- J3-J6(18mA DC BIAS) : 350 uH Min
- J4-J5(18mA DC BIAS) : 350 uH Min
- J7-J8(18mA DC BIAS) : 350 uH Min

### 3. Insertion Loss:

- 1~100MHz : -1.0 dB Max

### 4. Return Loss:

- 1~30MHz : -18 dB Min
- 30~45MHz : -16 dB Min
- 60~80MHz : -12 dB Min
- 80~100MHz : -10 dB Min

### 5. Cross Talk :

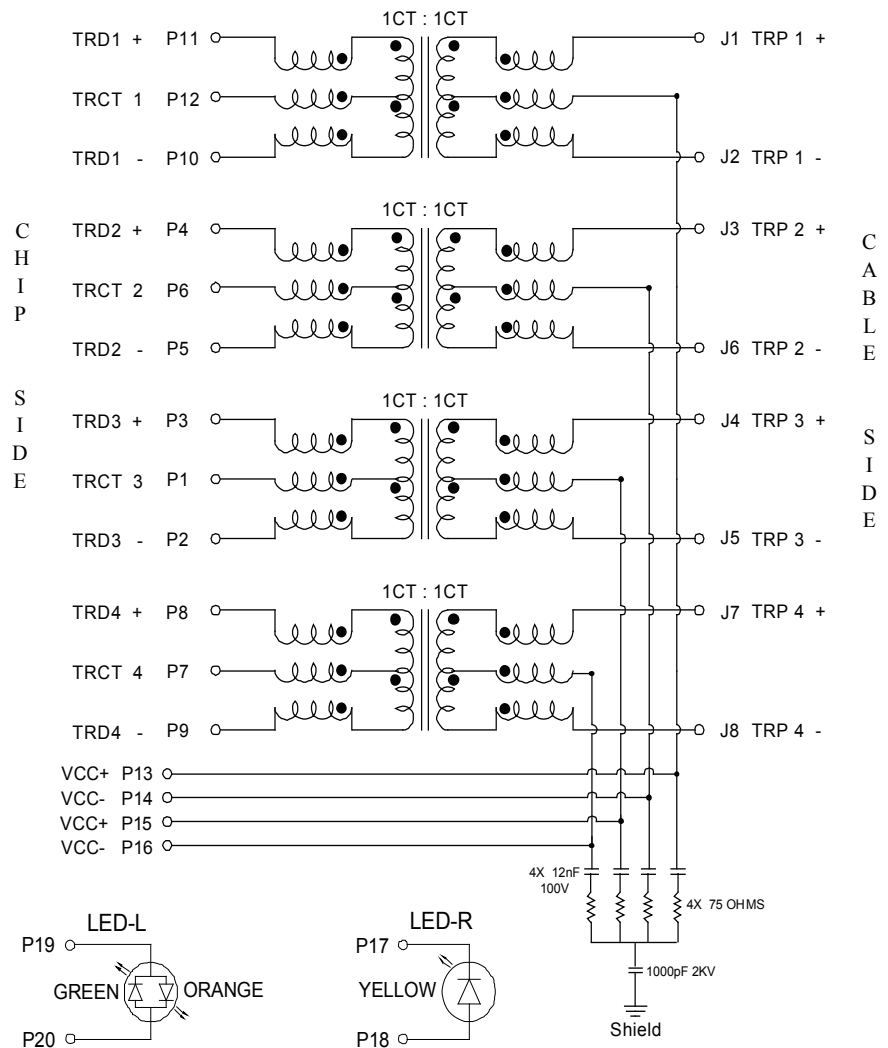
- 1~100MHz : -30 dB Typ

### 6. Common Mode Rejection :

- 1MHz~100MHz : -35 dB Min
- 100MHz~500MHz : -25 dB Min

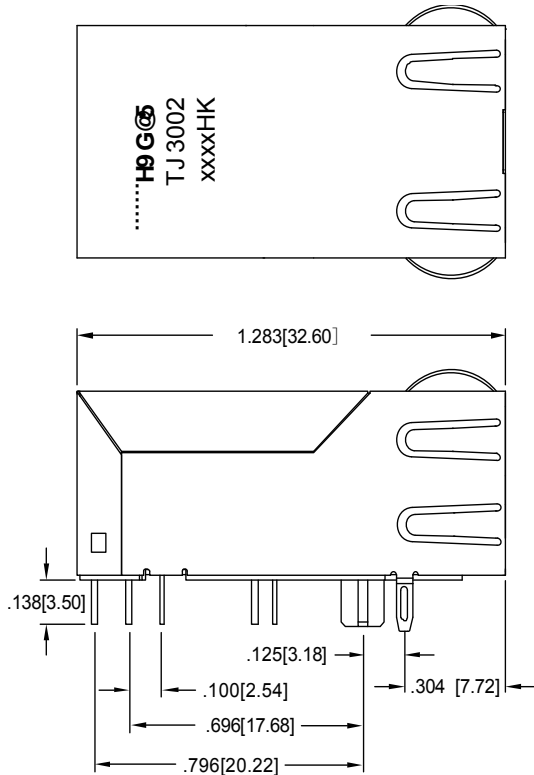
### 7. Hi-Pot: 1500VAC, 0.5mA, 1Sec minimum

## Schematic

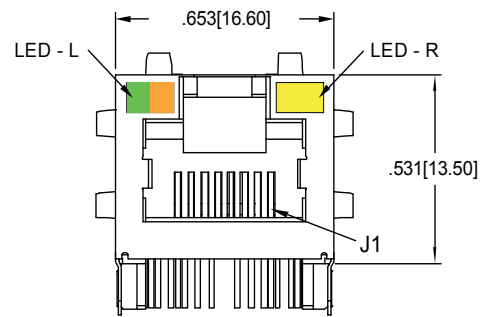


# Single-Port(1x1) Tab-UP Gigabit PoE+ Connector, With LEDs TJ3002

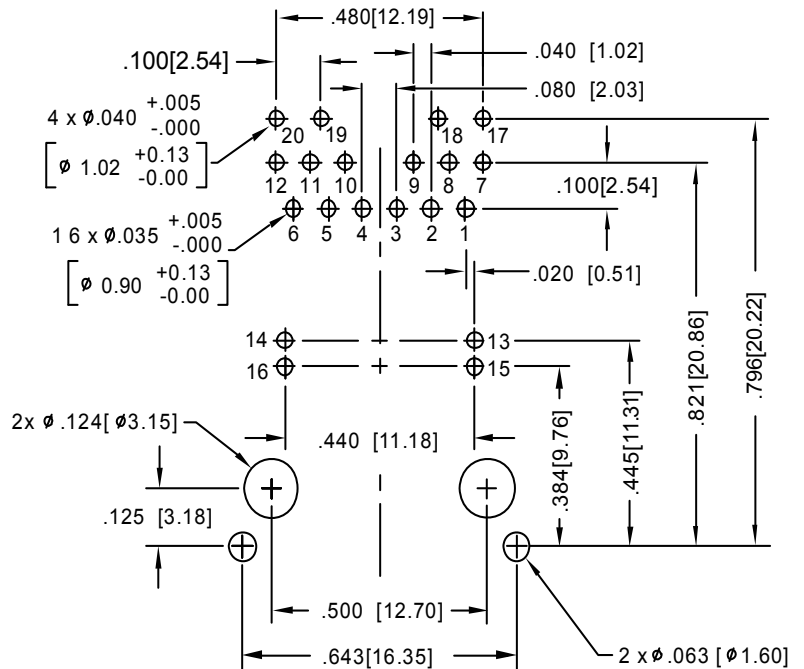
32.60 x 16.60 x 13.50mm



## Mechanical



Unless otherwise specified  
Unit: inch/mm  
Tolerance: .x +/-  
.xx +/-  
.xxx +/- .010/0.25



FRONT OF CONNECTOR SUGGESTED PCB LAYOUT  
(COMPONENT SIDE SHOWN)

DIMENSIONAL TOLERANCE: .xxx ± .003[x.xx ± 0.08]

Packing : 120pcs/tray