

Gigabit Ethernet Stacked Dual Port with LEDs TJ3001

Features:

- Complies with IEEE 802.3 Gigabit standard including 350uH with 8mA DC bias
- Isolation 1500Vrms
- Intergrated modular design provides higher reliability and conserves borad space
- Contact: Phosphor Bronze, 6u-inch gold flashed unless specified
- Plastic housing: Thermoplastic UL94V0 rated
- Metal shield: Nickel plated brass
- Operating temperature: 0°C to +70°C
- Storage temperature: -40°C to +85°C



ELECTRICAL SPECIFICATIONS @25 °C

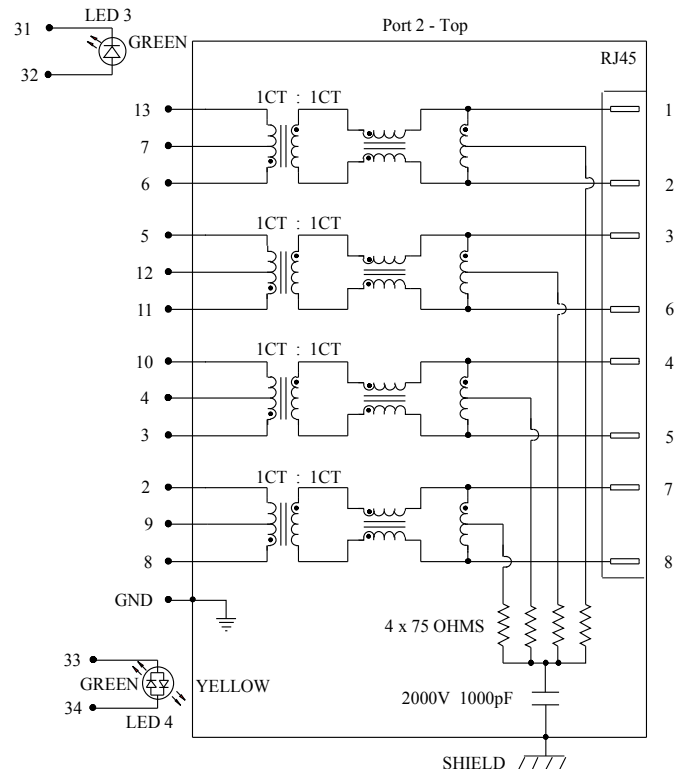
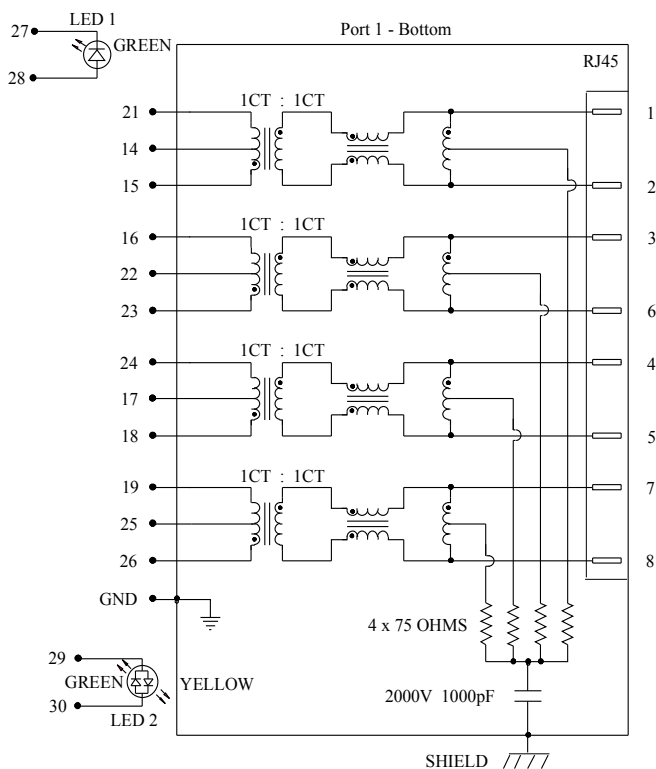
OCL	Insertion Loss (dB Max.)			Return Loss (dB Min.)			CMRR (dB Min.)	Cross Talk (dB Min.)			Isolation
	0.1 MHz	100 MHz	125 MHz	1-30 MHz	30-60 MHz	60-100 MHz		30 MHz	60 MHz	100 MHz	
100kHz, 0.1 Vrms with 8mA DC bias											Vrms Min.
350 μH	-1.1	-1	-2	-18	-12	-10	-25	-35	-35	-25	1500

Turns Ratio : 1CT:1CT ± 2%

Cww @1MHz, 100 mVrms: 50pF Max. (Between Primary and Secondary)

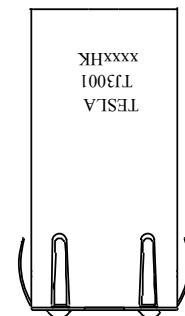
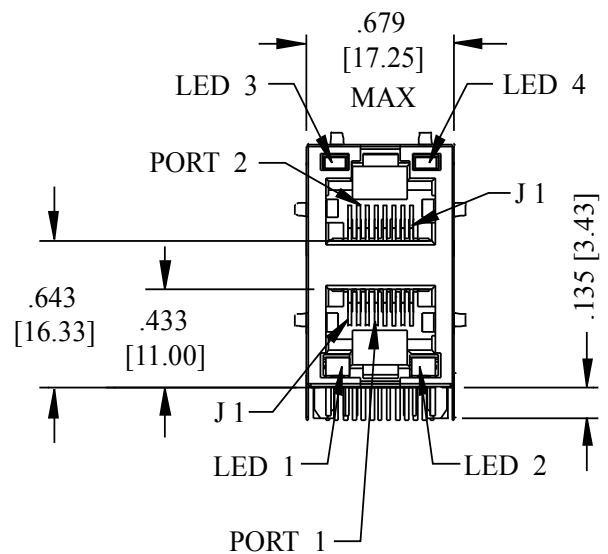
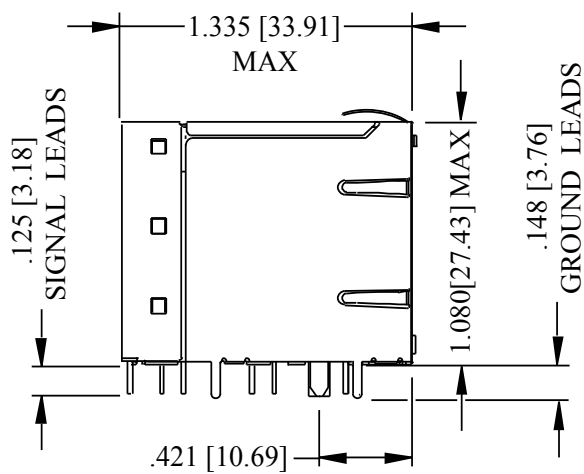
Leakage Inductance @ 1MHz, 100 mVrms: 0.3 μH Max. (Primary with Secondary shorted)

Maximum DCR: (21-15); (16-23); (24-18); (19-26); (13-7); (5-11); (10-3); (2-8); (1-2); (3-6); (4-5); (7-8) = 1.0 Ω



Gigabit Ethernet Stacked Dual Port with LEDs TJ3001

Mechanical



Unless otherwise specified
Unit: inch/mm
tolerance: .x +/-
.xx +/- .015 [0.38]
.xxx +/- .010 [0.25]

Gigabit Ethernet Stacked Dual Port with LEDs TJ3001

