

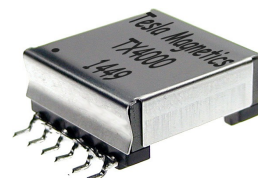


30W Flyback PoE Plus Transformers



Features:

- ⊕ Designed for Flyback PoE applications up to 30 Watts
- ⊕ Designed to meet IEEE 802.3at (2009 standard)
- ⊕ Low Profile
- ⊕ Class B Insulation System
- ⊕ Operating Temperature: -40°C to +125°C
- ⊕ Storage Temperature: -40°C to +125°C
- ⊕ Isolation: 1500Vrms
- ⊕ Switching Frequency: 250kHz



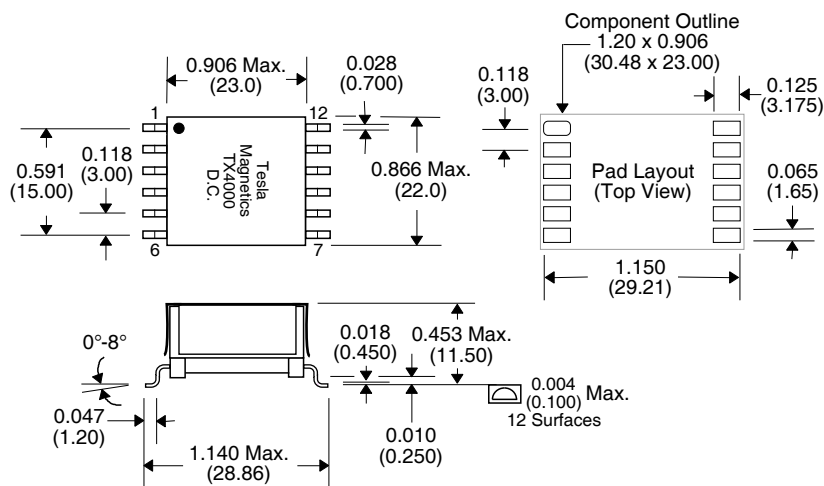
Electrical Specifications @25°C

Part Number	Inductance ¹	Le ²	DCR			Turns Ratio	Ipk ³ (A)	Output
	($\mu\text{H} \pm 10\%$)	($\mu\text{H max.}$)	(m Ω max.)	Primary	Secondary			
	Primary	Primary	Primary	Secondary	Auxiliary	Pri.:Sec.:Aux.	Pri.	Secondary
TX4000	42	3	0.07	0.0023	0.22	1:0.09:0.33	2.6	3.3V (9A)
TX4001	42	1.6	0.069	0.005	0.225	1:0.14:0.33	2.6	5V (6A)
TX4002	42	0.545	0.061	0.015	0.195	1:0.33:0.33	2.6	12V (2.5A)
TX4003	42	0.43	0.06	0.037	0.195	1:0.56:0.33	2.6	19.5V (1.5A)
TX4004	42	0.31	0.06	0.055	0.195	1:0.67:0.33	2.6	24V (1.25A)

Notes:

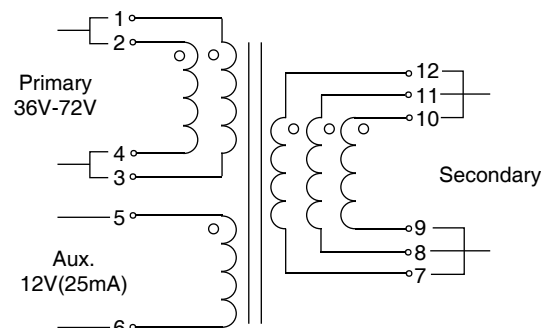
1. Primary inductance measured at 250kHz;1Vrms
2. Leakage inductance measured at 250kHz;1Vrms with Aux. and Sec. windings shorted.
3. Switching Peak current at minimum input voltage.

Dimensions



All Dimensions are in mm.

Schematic (Top View)



- Product weight: 12grams
- Moisture sensitivity level: 1
- Resistance to solder heat: 260°C
- Ordering Information:
TX400x -Tube Packaging (25pcs./Tube)
TX400xT - Tray packaging (40pcs./Tray)
TX400xTR - Tape & Reel (150cs./ 13"Reel)