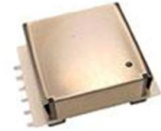


PoE TRANSFORMER

25 Watts

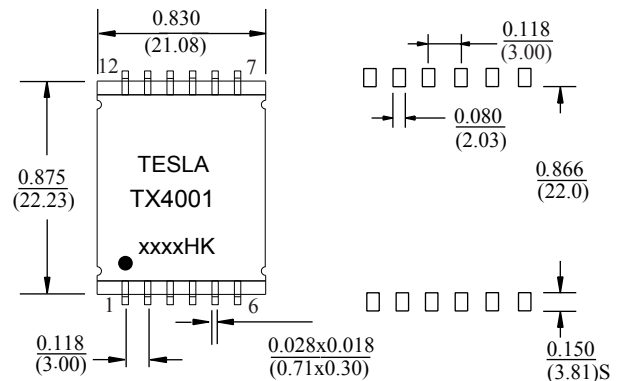
TX4001



Features:

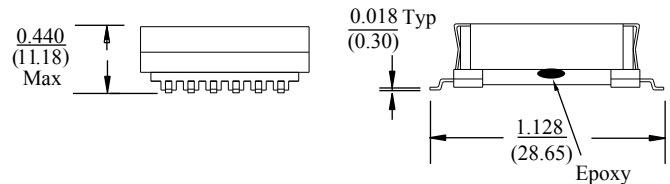
- ⊕ Total Power: 25W
- ⊕ Output voltage/Ampere: 5V/5A
- ⊕ Operating temperature: 0°C to +70°C
- ⊕ Storage Temperature: -40°C to +125°C
- ⊕ Designed per IEEE802.3at

Suggested PCB layout

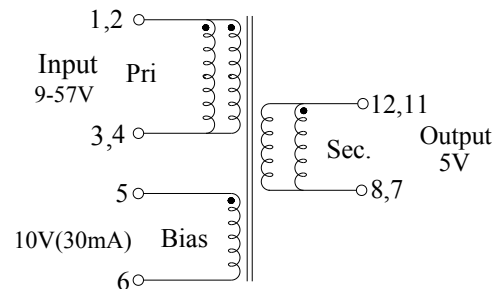


Electrical Specifications@25°C

1. Inductance@100KHz, 1.0Vrms
(1,2)-(3,4) = 9μH±10%
2. Leakage Inductance@100KHz, 1.0Vrms
(1,2)-(3,4) Short (12,11,8,7,5,6) : 0.25 μH Max
3. Max. D.C.Resistance
(1,2)-(3,4): 0.013Ω; (5-6): 0.28 Ω; (12,11)-(8,7) : 2.6 mΩ
4. Turns Ratio: 10 kHz, 1V
(1,2)-(3,4) : (12,11)- (8,7)= 1: 0.375 ±2%
(1,2)- (3,4) : (5-6) = 1:0.75 ±2%
5. Hi-Pot:
1500Vrms, 1mA, 1Sec: Pri. & Bias to Sec. and Core
6. C_{ww}@100kHz, 1.0Vrms
85 pF Max.



Mechanical



Schematic

Dimensions Inches (mm) ± 0.010 (.25)