

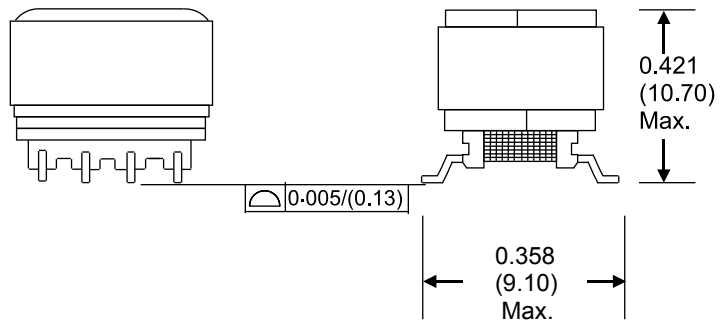
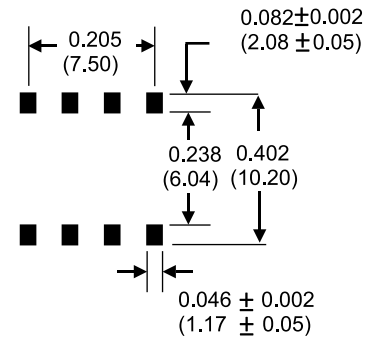
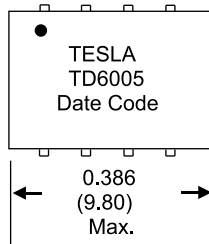
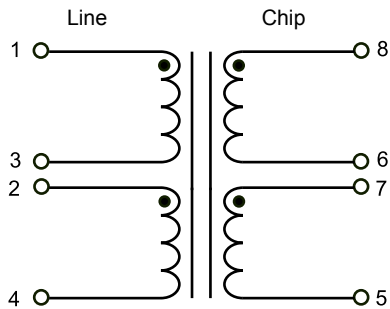


# VDSL Transformer TD6005

- ⚙️ Conexant Chip
- ⚙️ EP 10 transformer
- ⚙️ Per UL1950, EN60950 and IEC950

## ELECTRICAL SPECIFICATIONS @ 25° C

OCL (±10%)	Turn Ratio (±2%)	DCR (Max.)	Hi-Pot	Insertion Loss (Max.)	Return Loss (Min.)	
Line	(1-4):(8-5) (tie 3&2, 6&7)	(1-4)	(1-4) to (8-5) (tie 3&2, 6&7)	dB	dB	dB
10 kHz 100mV	10 kHz 100mV	Ω	1500 Vac 500 μA	120kHz-12MHz	100 kHz-12MHz	12Mhz- 30MHz
800 μH	2:1	1.6	1 minute	0.4	12	6



Weight: ..... 1.3 grams  
Tape & reel.....300/reel  
Tray.....95/tray

Packaging: Add -T for Tape & reel, TD6005-T  
Dimensions are in inches(mm): +/- 0.010(0.25)