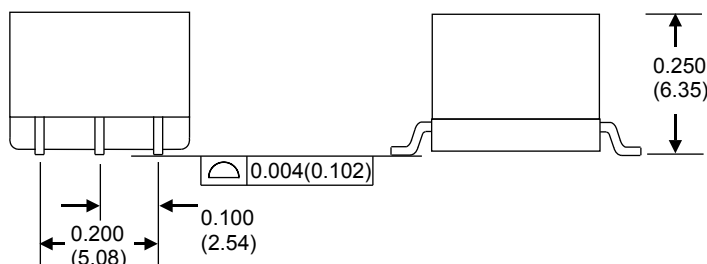
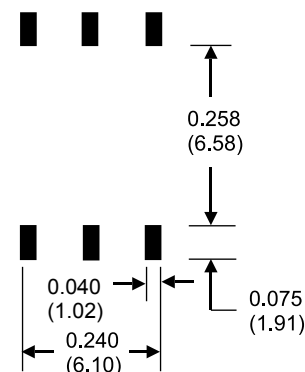
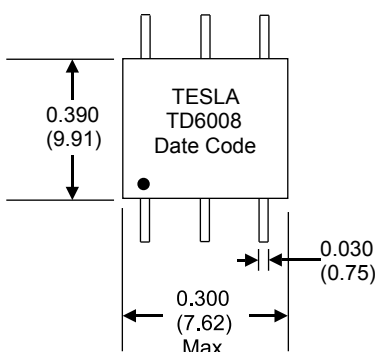
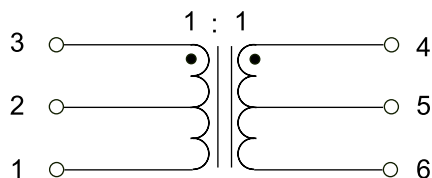


VDSL Transformer TD6008

- ⓘ Excellent longitudinal balance
- ⓘ Operating Temperature - 40°C to + 85°C
- ⓘ Per UL1950, EN60950 and IEC950

ELECTRICAL SPECIFICATIONS @ 25°C														
* OCL (Min.)	Line Impedance	Turn Ratio (±2%)	Hi-Pot	Return Loss			Insertion Loss		Longitudinal Balance			Common Mode Rejection		
10 kHz 100mV	Ω	10 kHz 100m V	1500 Vac 500 μA	0.20 -1 MHz	1 - 20 MHz	20-30 MHz	0.2 - 0.4 MHz	0.4-30 MHz	200 kHz	11 MHz	100 MHz	10 MHz	30 MHz	100 MHz
			(3-1) to (4-6)	dB	dB	dB	dB	dB	dB	dB	dB	dB	dB	dB
190 μH	135	1:1.16	1 minute	15	20	18	0.75	0.60	60	50	40	35	33	30

* OCL: Open Circuit Inductance,



Packaging: Add -T for Tape & Reel, TD6008-T
Dimensions are in inches/(mm) = ±0.01(0.25)

Weight.....0.6 grams
Tape & reel..... 450/reel
Tube.....70/tube