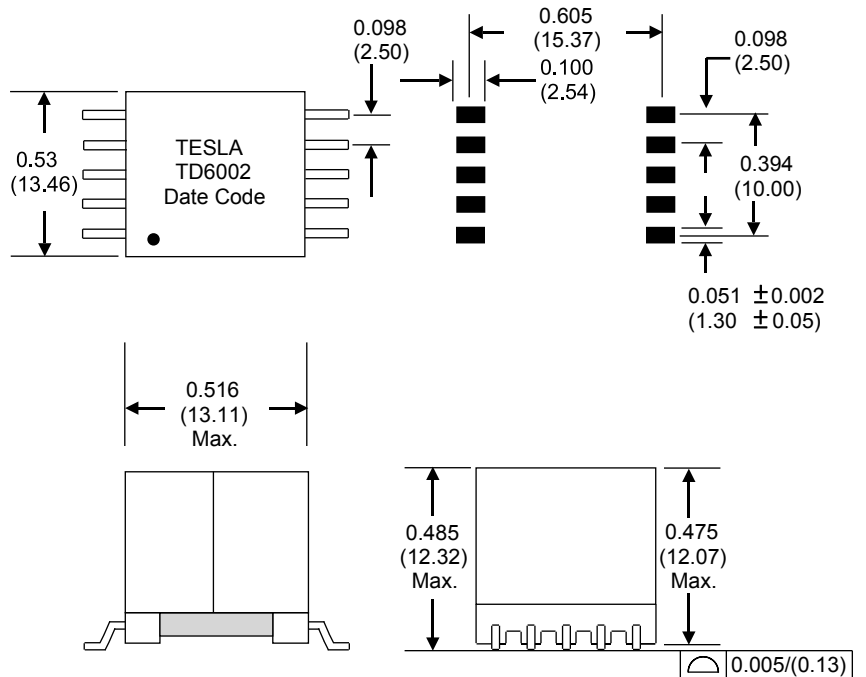
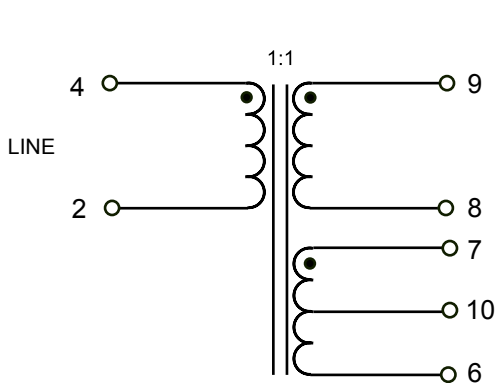


VDSL Transformer TD6002

- ⊕ Metalink Chip
- ⊕ EP 13 transformer
- ⊕ Per UL1950, EN60950 and IEC950

ELECTRICAL SPECIFICATIONS @ 25° C							
OCL Min	Turn Ratio (±2%)		DCR (Max.)	Hi-Pot	Insertion Loss (Max.)	Return Loss (Min.)	
Line	(9-8):(4-2)	(7-6):(4-2)	(4-2)	(9-6) to (4-2) (tie 8&7)	dB	dB	dB
10 kHz 100mV	10 kHz 100mV	10 kHz 100mV	Ω	1500 Vac 500 μA	120kHz-12MHz	100 kHz-12MHz	12Mhz- 30MHz
1.00 mH	1:3.0	2:3.0	1.00	1 minute	0.4	12	6



Packaging: Add -T for Tape and Reel, TD6002-T

Dimensions are in inches/(mm) xx= ± 0.01(0.25)
 xxx= ± 0.002(0.51)