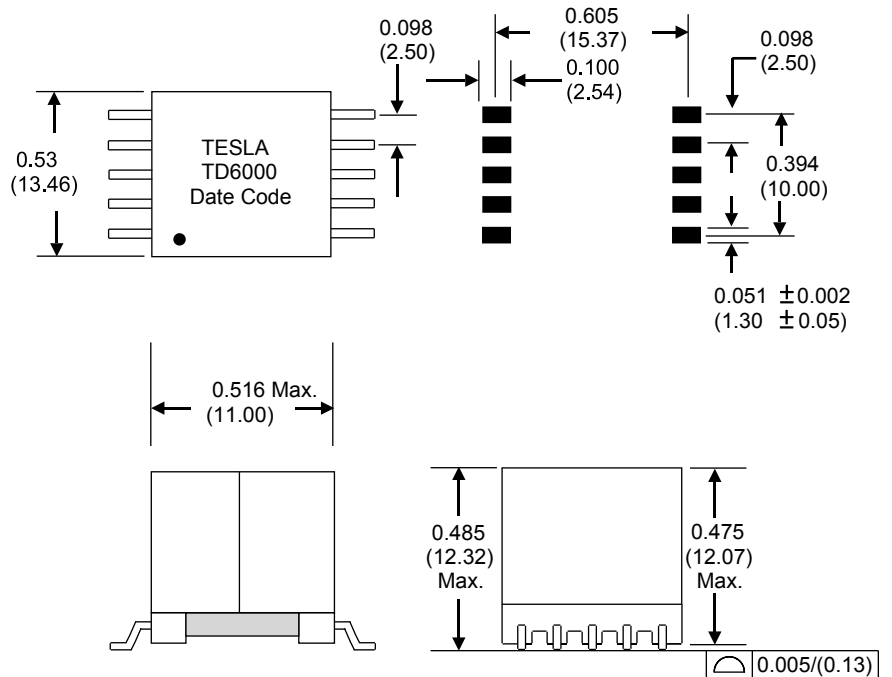
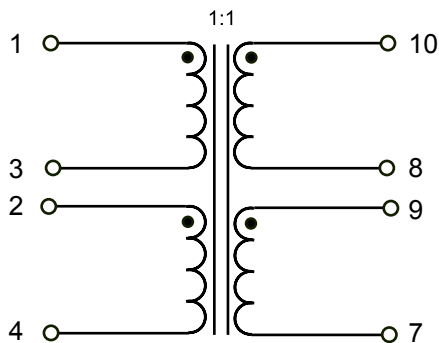


# VDSL Transformer TD6000

- ⓘ Excellent longitudinal balance
- ⓘ EP 13 transformer
- ⓘ Per UL1950, EN60950 and IEC950

ELECTRICAL SPECIFICATIONS @ 25° C								
* OCL ±5%	* LL (μH Max.)	Turn Ratio (±2%)	DCR (Max.)		Hi-Pot	* Cww	Longitudinal Balance (Min.)	Total Harmonic Distortion (Max.)
10 kHz 100mV	100 kHz 100mV	10 kHz 100mV	Ω	Ω	1500 Vac 500 μA	pF	100 kHz	100 kHz
10-7 (tie 8&9)	10-7 (tie 8&9) (1&3&2&4)	(10-7):(1-4) (tie 2&3, 8&9)	1- 4 (tie 2&3)	10-7 (tie 8&9)	10-7 (tie2&3, 8&9)	Line: Chip	dB	dB
200 μH	4	1:1	0.2	0.2	1 minute	30	50	- 80

\* OCL: Open Circuit Inductance, \* LL: Leakage Inductance, \* Cww: Interwinding Capacitance



Packaging: Add -T for Tape and Reel, TD2000-T

Dimensions are in inches/(mm)    xx= ± 0.01(0.25)  
    xxx= ± 0.002(0.51)