



ISDN Transformer TT3000- TT3004

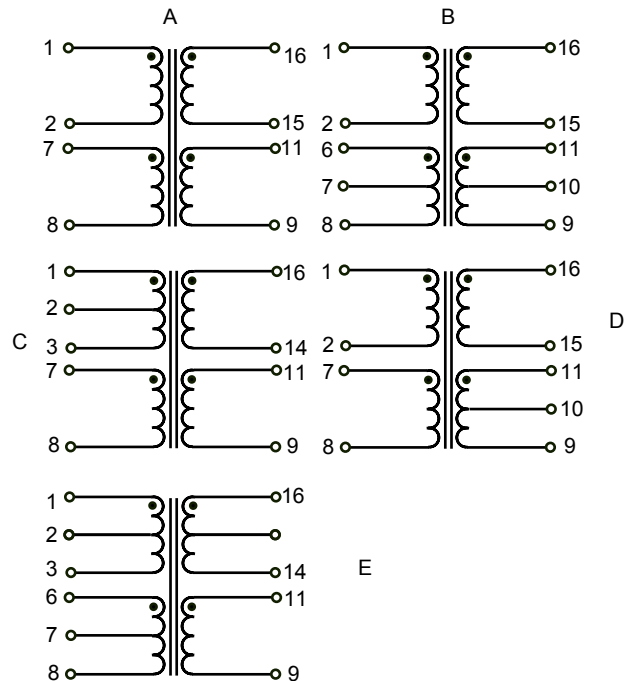
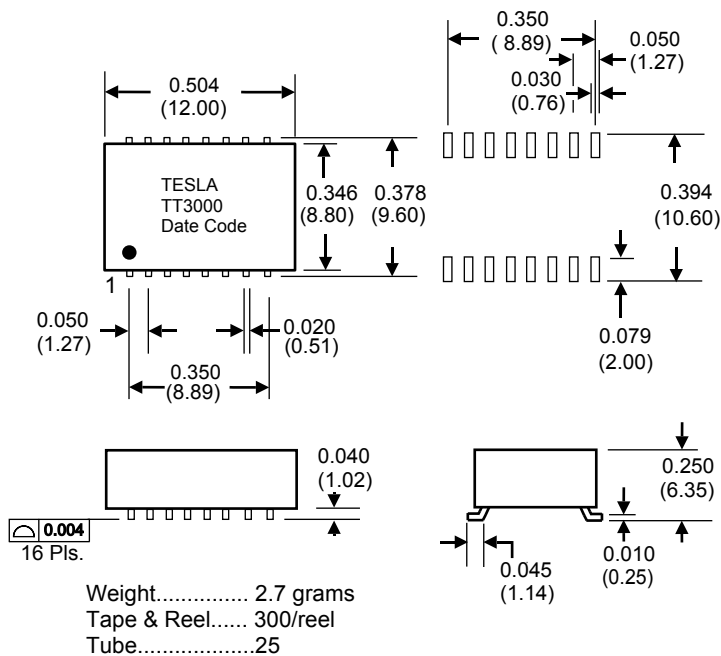
- Optimized for use in T3/DS3, E3, and STS-1 applications
- Operating temperature - 40°C to + 85°C
- Dual transformers in small foot print

ELECTRICAL SPECIFICATIONS @ 25° C

Part Number	*OCL (μH Min.)		Turn Ratio ($\pm 2\%$)		Hi-POT 1500Vac, 500 μ A	*C _{ww} pF		LL* (μH Max.)		Schematic
	10 kHz 100mV	10 kHz 100mV	Transmit	Receive		Transmit	Receive	Pri to Sec	LINE : IC	
TT3000	40 μH	40 μH	1:1	1:1	1 Second	10	10	0.10	0.10	A
TT3001	100 μH	100 μH	1CT:1CT	1:1	1 Second	10	10	0.11	0.11	B
TT3002	40 μH	100 μH	1:2CT	1:1	1 Second	12	10	0.11	0.11	C
TT3003	100 μH	100 μH	1:2CT	1:1	1 Second	12	10	0.12	0.11	D
TT3004	40 μH	40 μH	1:2CT	1:2CT	1 Second	12	12	0.11	0.11	E

*C_{ww}: Interwinding Capacitance,

* OCL: Open Circuit Inductance, LL: Leakage Inductance,



Packaging: Add -T for Tape & Reel , TT3000-T
Dimensions are in inches/(mm) xx= $\pm 0.01(2.54)$