

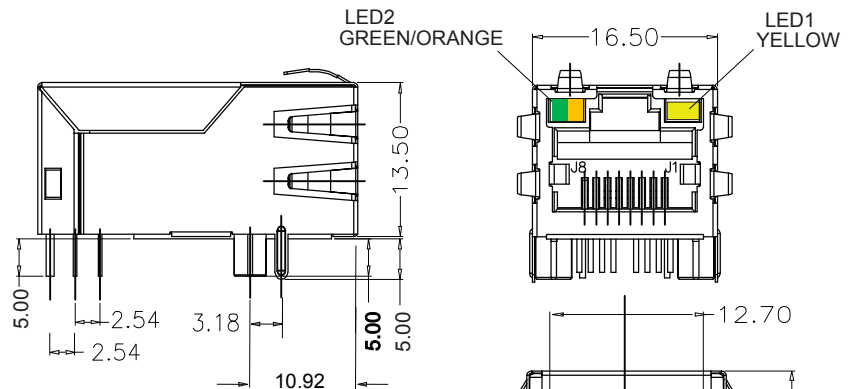
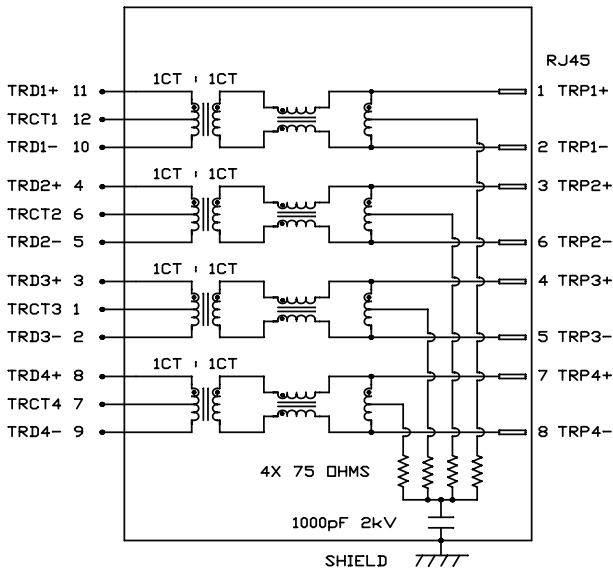
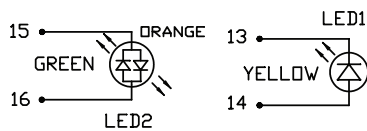
Gigabit Single Port RJ45 Connector TJ3016

- Optimized for leading IC manufacturers per IEEE 802.3 Standard
- RSH 260°C for 10 seconds with reflow rating of 245°C
- Operating Temperature: - 40°C ~ 85°C



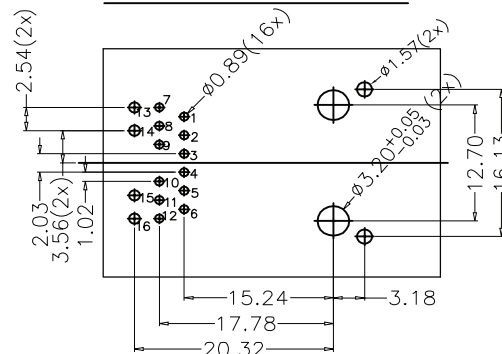
ELECTRICAL SPECIFICATIONS @ 25 C

OCL	Insertion Loss (dB Max.)			Return Loss (dB Min.)			CMRR (dB Min.)	Crosstalk (dB Min) Between adjacent channels			Isolation Vrms Min.
	0.1 MHz	100 MHz	125 MHz	30 MHz	60 - 80 MHz	100 MHz		30 MHz	60 MHz	100 MHz	
100 kHz, 0.1 Vrms With 8 mA DC Bias	0.1	100	125	30	60 - 80	100	0.1-100 MHz	30	60	100	Vrms Min.
350 μH	-1.1	- 1	-2	- 16	- 14	- 10	- 35	- 40	- 35	- 30	1500



Dimensions (mm)

Recommend P.C.B Layout viewed From Component Side



Turn Ratio: 1CT:1CT+/-3%

OCL:350uH MIN @ 100KHZ 100mV 8mA DC

Contacts: 0.35mm thick phos bronze plated with 6u' gold

Housing Material:PBT Black UL94 V-0