

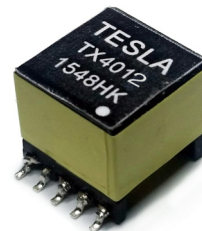


# TX4012 PoE+ Flyback Transformer



### Features:

- Designed for Flyback PoE applications up to 25 Watts
- Class F Insulation System
- Operating Temperature: -40°C to +125°C
- Storage Temperature: -20°C to +60°C
- Switching Frequency: 250kHz-400kHz

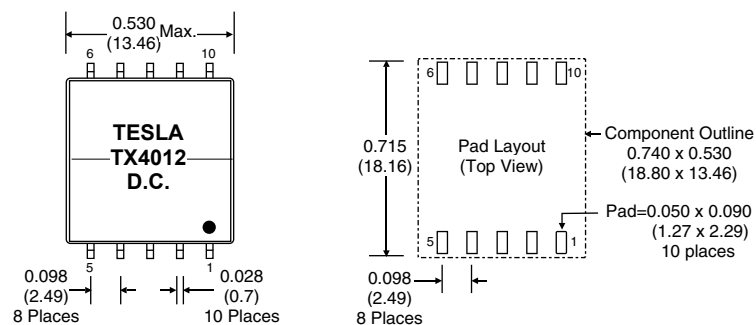


### Electrical Specifications @25°C

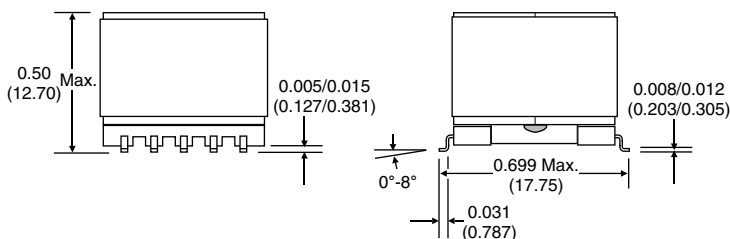
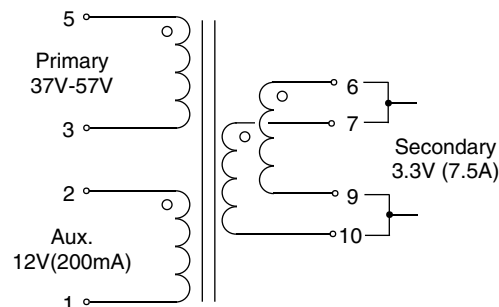
Inductance <sup>1</sup> ( $\mu\text{H} \pm 10\%$ )	Le <sup>2</sup> ( $\mu\text{H} \text{ max.}$ )	DCR (m $\Omega$ max.)			Saturation Current (A typ.)	Turns Ratio Pri.:Sec.:Aux.	Output		Isolation <sup>3</sup>	
		Pri.	Sec.	Aux.			Secondary	Auxiliary	Pri./Aux. To Sec.	Pri. To Aux.
38	0.625	100	6	176	3.2	1.67:0.25:1	3.3V(7.5A)	12V(200mA)	1500Vrms	500Vrms

- Notes:
1. Primary inductance measured at 100kHz;0.1Vrms.
  2. Leakage inductance measured at 100kHz;0.1Vrms with Sec. & Aux. windings shorted.
  3. 1 minute isolation between primary/auxiliary to secondary winding.

### Dimensions

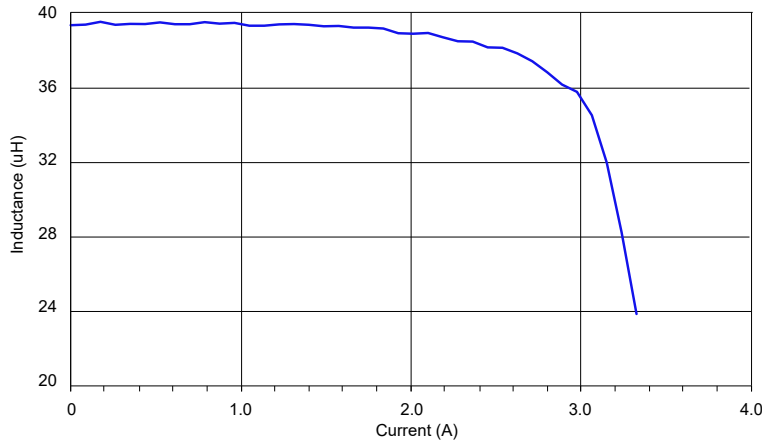


### Schematic



All Dimensions are in inches (mm).

### Typical Inductance vs Current Characteristic



- Product weight: 6.6 grams
- Moisture sensitivity level: 1
- Resistance to solder heat: 245°C
- Ordering Information:
  - TX4012 -Tube Packaging (39pcs./Tube)
  - TX4012T - Tray packaging (80pcs./Tray)
  - TX4012TR - Tape & Reel (200pcs./ 13"Reel)