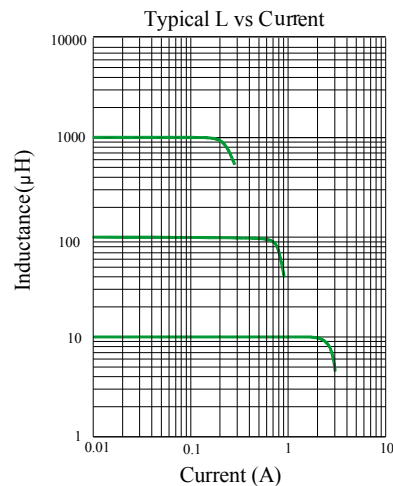
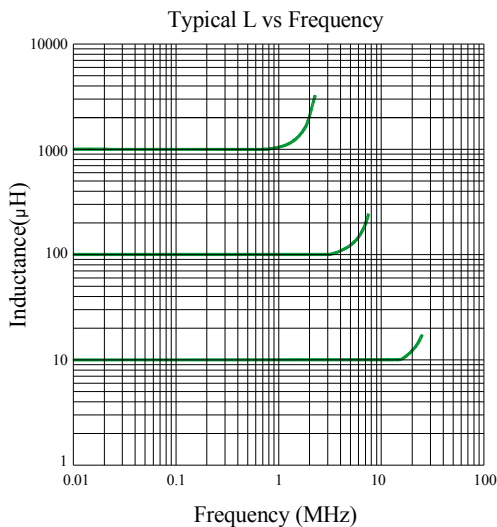


Electrical Characteristics

Part No.	Inductance (μH)	DCR (Ω)Max	Rated DC Current (A)Max	Test Freq
TL-SC73R-100□	10	0.072	1.68	100KHz,0.1V
TL-SC73R-120□	12	0.098	1.52	100KHz,0.1V
TL-SC73R-150□	15	0.13	1.33	100KHz,0.1V
TL-SC73R-180□	18	0.14	1.20	100KHz,0.1V
TL-SC73R-220□	22	0.19	1.07	100KHz,0.1V
TL-SC73R-270□	27	0.21	0.96	100KHz,0.1V
TL-SC73R-330□	33	0.24	0.91	100KHz,0.1V
TL-SC73R-390□	39	0.32	0.77	100KHz,0.1V
TL-SC73R-470□	47	0.36	0.76	100KHz,0.1V
TL-SC73R-560□	56	0.47	0.68	100KHz,0.1V
TL-SC73R-680□	68	0.52	0.61	100KHz,0.1V
TL-SC73R-820□	82	0.69	0.57	100KHz,0.1V
TL-SC73R-101□	100	0.79	0.50	100KHz,0.1V
TL-SC73R-121□	120	0.89	0.49	100KHz,0.1V
TL-SC73R-151□	150	1.27	0.43	100KHz,0.1V
TL-SC73R-181□	180	1.45	0.39	100KHz,0.1V
TL-SC73R-221□	220	1.65	0.35	100KHz,0.1V
TL-SC73R-271□	270	2.31	0.32	100KHz,0.1V
TL-SC73R-331□	330	2.62	0.28	100KHz,0.1V
TL-SC73R-391□	390	2.94	0.26	100KHz,0.1V
TL-SC73R-471□	470	4.18	0.24	100KHz,0.1V
TL-SC73R-567□	560	4.67	0.22	100KHz,0.1V
TL-SC73R-681□	680	5.73	0.19	100KHz,0.1V
TL-SC73R-821□	820	6.54	0.18	100KHz,0.1V
TL-SC73R-102□	1000	9.44	0.16	100KHz,0.1V

PUVOMI [na] & [ca] ^MSAA FEÅ ESAM FÍ Ā ET ĀM CEĀ

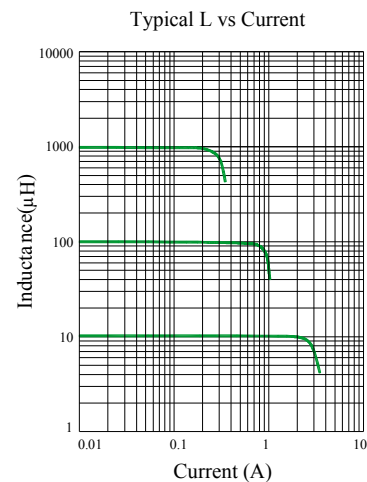
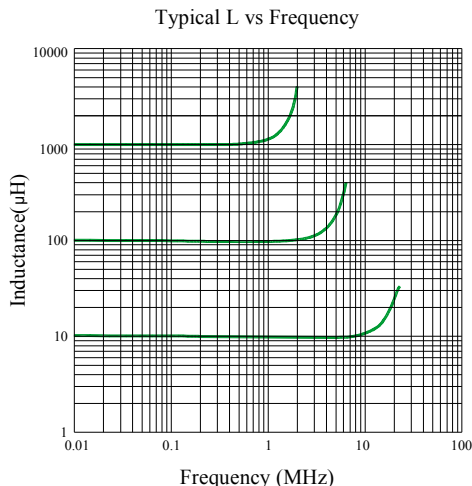


Electrical Characteristics TL-SC74R Series

Part NO.	Inductance (μH)	DCR (Ω)Max	Rated DC Current (A)Max	Test Freq
TL-SC74R-100□	10	0.049	1.84	100KHz,0.1V
TL-SC74R-120□	12	0.063	1.71	100KHz,0.1V
TL-SC74R-150□	15	0.081	1.47	100KHz,0.1V
TL-SC74R-180□	18	0.091	1.31	100KHz,0.1V
TL-SC74R-220□	22	0.110	1.23	100KHz,0.1V
TL-SC74R-270□	27	0.150	1.12	100KHz,0.1V
TL-SC74R-330□	33	0.170	0.96	100KHz,0.1V
TL-SC74R-390□	39	0.230	0.91	100KHz,0.1V
TL-SC74R-470□	47	0.260	0.88	100KHz,0.1V
TL-SC74R-560□	56	0.350	0.75	100KHz,0.1V
TL-SC74R-680□	68	0.380	0.69	100KHz,0.1V
TL-SC74R-820□	82	0.450	0.61	100KHz,0.1V
TL-SC74R-101□	100	0.610	0.60	100KHz,0.1V
TL-SC74R-121□	120	0.660	0.52	100KHz,0.1V
TL-SC74R-151□	150	0.880	0.46	100KHz,0.1V
TL-SC74R-181□	180	0.980	0.42	100KHz,0.1V
TL-SC74R-221□	220	1.170	0.36	100KHz,0.1V
TL-SC74R-271□	270	1.640	0.34	100KHz,0.1V
TL-SC74R-331□	330	1.860	0.32	100KHz,0.1V
TL-SC74R-391□	390	2.850	0.29	100KHz,0.1V
TL-SC74R-471□	470	3.010	0.26	100KHz,0.1V
TL-SC74R-561□	560	3.620	0.23	100KHz,0.1V
TL-SC74R-681□	680	4.630	0.22	100KHz,0.1V
TL-SC74R-821□	820	5.200	0.20	100KHz,0.1V
TL-SC74R-102□	1000	6.000	0.18	100KHz,0.1V

Tolerance value : K = ±10%, L = ±15%, M = ±20%

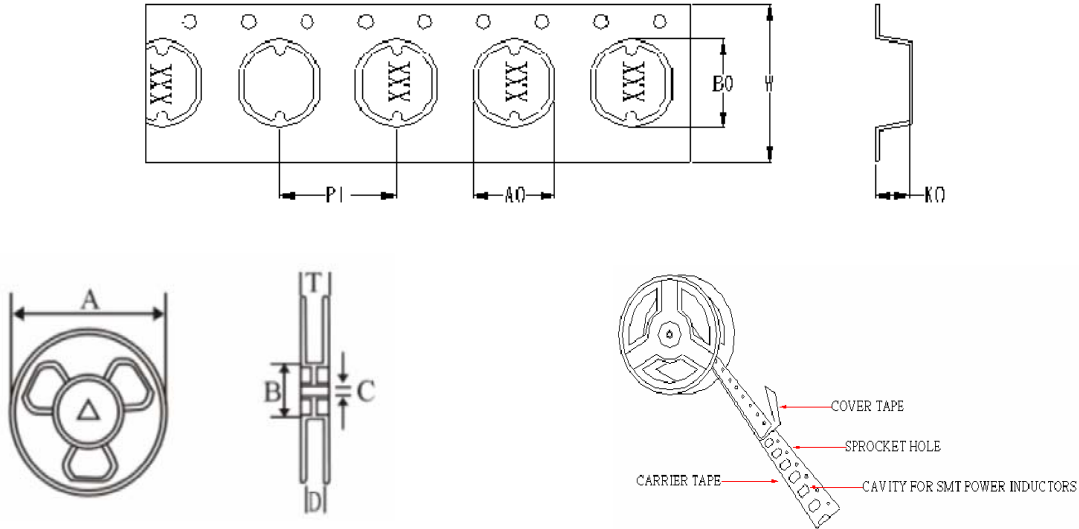
*



Power Inductors

TL-SC73R/SC74R Series

Package Style:



Reel(Tolerance ± 0.5)

Part No.	Dimensions of Reel (mm)					Packing Quantity(K)
	A	B	C	D	T	
TL-SC73R	338.5	102.6	7.8	12.8	17.6	1
TL-SC74R	338.5	102.6	7.8	12.8	17.6	1

Carrier Tape Dimensions(mm)

Part No.	P1	A0	B0	W	K0	Packing Quantity(K)
TL-SC73R	13.2	6.5	6.3	17.6	2.4	1
TL-SC74R	13.2	6.5	6.3	17.6	2.4	1